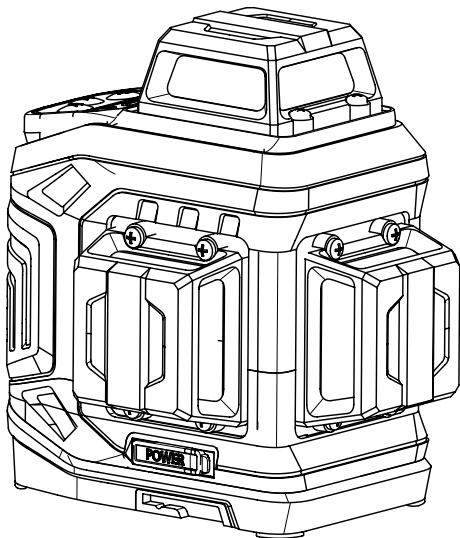


# USER MANUAL

027.03D MULTICROSS 3D BRAVE GREEN



EN ENGLISH

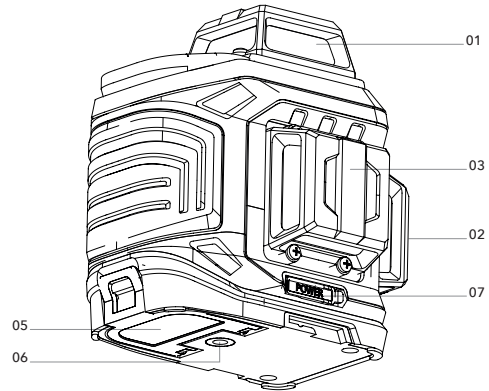
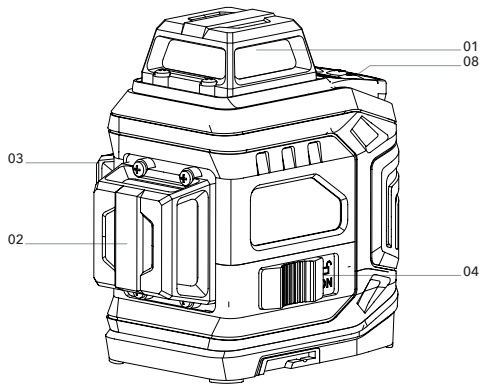
Manual  
in your language?

Check the back cover



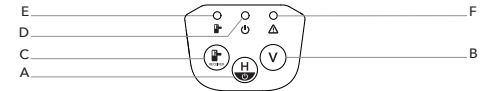
**FUTECH**  
futech-tools.com

## OVERVIEW



### ■ CASE

- 01 Horizontal laserexit
- 02 Front vertical laserexit (V1)
- 03 Side vertical laserexit (V2)
- 04 On/Off/Transport security switch
- 05 Battery compartment
- 06 Tripod thread 1/4"
- 07 Power socket
- 08 Keypad



### ■ KEYPAD

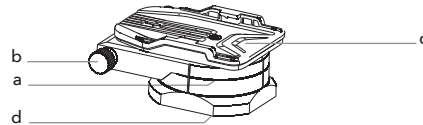
- A H-button for horizontal lines / Power button
- B V-button for vertical lines
- C Receiver button
- D Power indicator
- E Receiver indicator
- F Warning indicator



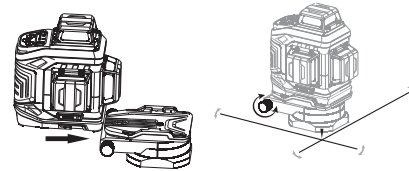
**TURNING TABLE OPTIONAL ACCESSORY**

ART.NR.: H027.TUR

- a Rotation point
- b Fine tuning
- c Shifting plate
- d Tripod thread 5/8"



- Slide the device onto the turning table
- Manually rotate the laser to the desired position
- Using the fine tuning [b] the shifting plate [c] will move and brings the laser line in the exact position. (plumb stays in position)

**QUICK START GUIDE**

KEYPAD	NAME		FUNCTION
A	H-button / Power button	Press	(De-)activate horizontal laser lines
		Hold	Switch ON device whit pendulum locked (for manual slope)
B	V-button	Press	(De-)activate vertical laser lines
C	Receiver button	Press	(De-)activate the receiver mode (Pulse)
D	LED Power indicator	No	The device is switched OFF
		Green	The device is switched ON
E	LED receiver indicator	No	Receiver mode OFF, detection with receiver is not possible
		Red	Receiver mode ON, laser line pulses, detection with receiver is possible
F	Warning indicator	Orange, flashing slow	Slope active (pendulum is locked, laser not levelled)
		Orange, flashing fast	Out of self-levelling range



## SAFETY

Please read the safety instructions provided in the separate booklet provided with the device.

LASER RADIATION - Class 2 Laser product. - Do not stare into beam

## BATTERY

This laser can be used with the supplied battery (7.4V, 2200 mAh) or using the supplied USB-C power adapter. The battery will charge when it is in the device while the power adapter is connected. The device can be used while charging.

## FIRST TIME USAGE

Remove all protection foils.

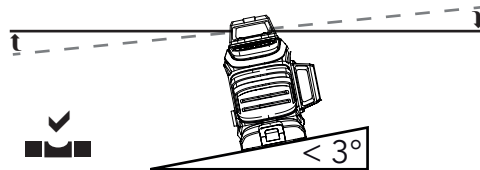
Place the provided LI-ION battery in the device by opening the battery cover [05]. Make sure the batteries are fully charged.

## USE

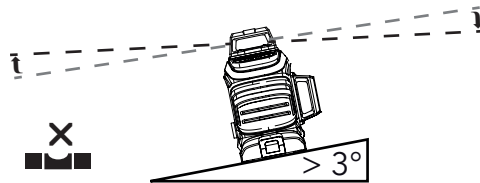
### ■ AUTO-LEVELLING



Slide the On/Off/Transport security switch [04] to the "ON" position. The laser is switched on, the pendulum levelling mechanism is released, and the instrument is able to level itself.



The laser can level itself in a range of approx. 3° in every direction. This means the laser can show 100% horizontal or vertical lines when placed on a sloped surface of approx. 3° maximum.



In case the laser is placed on a surface that exceeds the 3°, a levelled horizontal or vertical laser line will no longer be possible.



The warning indicator [F] will flash fast and the laser lines will turn off.

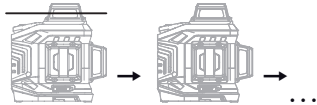
Place the laser device on a flatter surface, within the levelling range of 3° if possible. The laser will self level automatically when placed within its levelling range.

### ■ SWITCHING ON/OFF LASER LINES

When switching on the device, all 3 laser diodes will be activated.

#### — HORIZONTAL LASER LINES

To change the projected horizontal laser lines, press the H-button for horizontal lines [A].



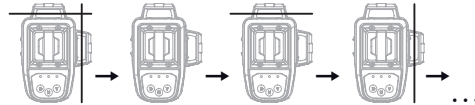
- Press the H-button [A] a first time to switch off the horizontal laser line (V1) [02].
- Press the H-button [A] a second time to switch on the horizontal laser line (V1) [02].
- ... (these two previous steps will repeat)

#### NOTE

We advise to set the horizontal line on your working height, using a tripod.

#### — VERTICAL LASER LINES

To change the projected vertical laser lines, press the V-button for vertical lines [B].



- Press the V-button [B] a first time to switch off all vertical laser lines.
- Press the V-button [B] a second time to switch on the front vertical laser line (V1) [02].
- Press the V-button [B] a third time to switch on the side vertical laser line (V2) [03].
- Press the V-button [B] a fourth time to switch on both vertical laser line (V1+V2) [02][03].
- ... (these four previous steps will repeat)

#### NOTE

When both vertical lines are switched on, you can measure an exact angle of 90° or show a plumb line (imaginary line between the cross on the floor and the cross on the ceiling)

## ■ SLOPE MODE

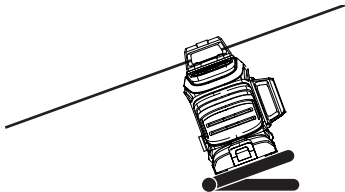


Slide the On/Off/Transport security switch [04] to "OFF" so the laser beams are turned off and the transport lock is active (pendulum is blocked).

Hold the H-button / Power button [A] for approx. 3 seconds. All laser lines will switch on without loosening the transport security (pendulum is still locked in position). The warning indicator [E] flashes slowly. This warns you that the laser is not levelled!

Hold the H-button / Power button [A] again for approx. 3 seconds to shut down the laser in slope mode.

## — MANUAL SLOPE



You can physically position the device at the desired slope by using an inclined surface or a slope adapter (optional accessory).

### NOTE

In slope mode, the laser lines no longer levelled automatically. A slow flashing warning indicator [F] will remind you the pendulum is blocked and the laser is not able to level.

## ■ RECEIVER MODE



Press the receiver button [C] to turn on the receiver mode (pulse). When this mode is activated, the receiver indicator [E] will light up. At this moment, laser lines can be picked up by a laser receiver.


Press the receiver button [C] again to turn off the receiver mode (pulse).

### NOTE

All Futech laser will use 10KHz as frequency in receiver mode. Only receivers that can detect laser lines at 10KHz are compatible.



## TECHNICAL SPECIFICATIONS

	027.3DG MULTICROSS 3D BRAVE GREEN
Visibility	
Accuracy	± 2 mm / 10 m
Range with receiver	2x 40 m
Levelling range	± 3°
Levelling	Pendulum levelling
Slope function	Manual (via pendulum lock)
Tripod thread	1/4"
Laser wavelength	515 nm
Laser classification	Class 2, < 1mW
Power supply	Li-Ion battery 7.4V, 2200mAh
Protection	IP54
Dimensions (l x w x h)	116 x 82 x 120 mm
Weight	0,400 kg
Operation temperature	-5°C ~ +40°C



### DECLARATION OF CONFORMITY

Futech (Belgium) declares under its own responsibility that this device:

- 027.3DG, MULTICROSS 3D BRAVE GREEN

is in conformity with the standards

EN IEC 61326-1:2021,

IEC 60825-1:2014

following the provisions of Directive(s)

2014/30/EU.

Lier, Belgium,  
March 30, 2023  
Patrick Waüters



Potential misprints are reserved. Images used are not strict. All features, functionality and other product specifications are subject to change without notice or obligation.

# USER MANUAL

other languages:



**DA** DANSK



**DE** DEUTSCH



**ES** ESPAÑOL



**ET** EESTI KEEL



**FI** SUOMEN KIELI



**FR** FRANÇAIS



**IS** ÍSLENSKA



**IT** ITALIANO



**NL** NEDERLANDS



**NO** NORSK



**PT** PORTUGUÊS



**SL** SLOVENŠČINA



**SV** SVENSKA



-  Facebook  
@futechtools
-  LinkedIn  
futechtools
-  World Wide Web  
futech-tools.com
-  YouTube  
@futechtools