



034.4DE

DESCRIPTION

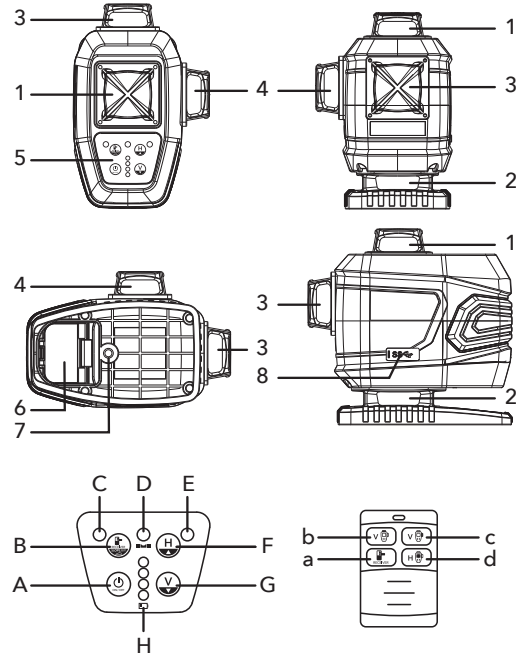
1. Window of upper horizontal laser line (H1)
2. Window of bottom horizontal laser line (H2)
3. Window of vertical laser line Front (V2)
4. Window of vertical laser line Side(V1)
5. Keypad
6. Battery cover
7. Tripod Thread 1/4"
8. USB-C power connector

Keypad

- A. Power Button ON/OFF
- B. Receiver Button / Slope function
- C. Receiver Indicator
- D. Levelling Indicator
- E. (Not applicable)
- F. Button "H" for horizontal laser lines / Up-button
- G. Button "V" for vertical laser lines / Down button
- H. Power Indicators

Remote control

- a. Receiver button
- b. Button "V" for front vertical line
- c. Button "V" for side vertical line
- d. Button "H" for horizontal line



NOTE

- THE KEYPAD OF THE VERY FIRST GENERATIONS OF THIS LASER DEVICE LOOKS A LITTLE DIFFERENT, BUT THE FUNCTIONS ARE EXACTLY THE SAME AS MENTIONED IN THIS MANUAL
- REMOTE CONTROL ISN'T INCLUDED AND COMPATIBLE WITH THE VERY FIRST GENERATION OF THIS LASER DEVICE

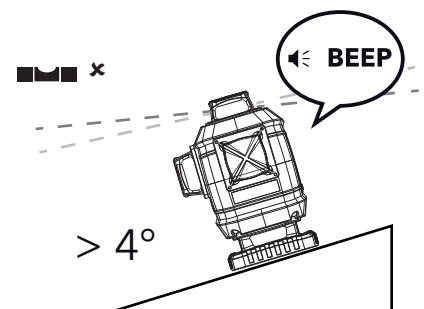
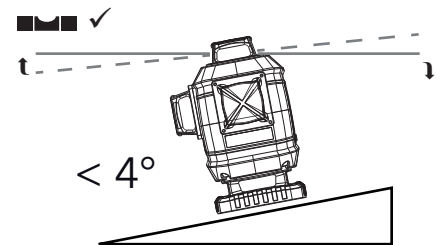
OPERATIONS

SWITCHING ON/OFF

- Press the power button ON/OFF [A] to switch on the device. The power indicators [H] and the bottom horizontal laser line (H2) light. The levelling indicator [D] starts flashing.
- The automatic levelling starts. During levelling, the levelling indicator [D] keeps flashing. When the laser lines are leveled, the levelling indicator [D] lights constantly.
- The power indicators [H] show four levels of available power:
 - Four lights on: The battery is more than 75% loaded.
 - Three lights on: The battery is between 50% and 75% loaded.
 - Two lights on: The battery is between 25% and 50% loaded.
 - One light on: The battery is less than 25% loaded.
- Press the power button ON/OFF [A] to switch off the instrument.

NOTICE: SELF-LEVELLING ZONE

- IF THE SLOPE OF THE INSTRUMENT EXCEEDS +/-4 °, THE AUTOMATIC LEVELLING IS NOT POSSIBLE. IN THAT CASE, THE INSTRUMENT IS OUT OF ITS SELF-LEVELLING ZONE. THE LEVELLING INDICATOR [D] KEEPS FLASHING AND THE LASER LINES WILL ALSO START FLASHING.
- TO SOLVE THIS ISSUE, PLACE THE INSTRUMENT PROPERLY ON A FLATTER SURFACE. THE LASER LINES WILL STOP FLASHING AND THE AUTOMATIC LEVELLING WILL START AGAIN AUTOMATICALLY.



■ SELECT HORIZONTAL AND VERTICAL LASER LINES

- After switching on the instrument, the bottom horizontal laser line (H2) lights.
- Horizontal laser lines
 - Press the "H" button [F] 1 time: upper horizontal laser line (H1) switches on and bottom horizontal laser line (H2) switches off.
 - Press the "H" button [F] 2 times: upper horizontal laser line (H1) and bottom horizontal laser line (H2) switch off.
 - Press the "H" button [F] 3 times: bottom horizontal laser line (H2) switches on and upper horizontal laser line (H1) switches off.
- Vertical laser lines
 - Press the "V" button [G] 1 time: vertical laser line Front (V2) switches on.
 - Press the "V" button [G] 2 times: vertical laser line Side (V1) switches on.
 - Press the "V" button [G] 3 times: vertical laser line Front (V2) and vertical laser line Side (V1) switch off.

NOTICE: ACTIVE LASER LINES

- **YOU CANNOT SWITCH ON THE UPPER HORIZONTAL LASER LINE (H1) AND BOTTOM HORIZONTAL LASER LINE (H2) TOGETHER. BY THAT, WE AVOID MEASURING ERRORS.**
- **YOU CAN SWITCH ON THE VERTICAL LASER LINE FRONT (V2) AND VERTICAL LASER LINE SIDE (V1) TOGETHER. BY THAT, YOU CAN MEASURE EXACT ANGLES OF 90° OR SHOW A PLUMB LINE (LINE BETWEEN THE CROSS ON THE CEILING AND THE CROSS ON THE FLOOR).**

■ USAGE OF THE INSTRUMENT WITH A RECEIVER

- Press receiver button [B] to enable the receiver mode. The receiver indicator [C] lights. When the receiver mode is turned on, the laser line will start flashing very fast. It appears to the human eye that the intensity of laser line(s) decreases slightly.
- You can now find the exact position of the laser line with a receiver. (Please consult the manual of your receiver)
- Press the receiver button [B] again to disable the receiver mode. The receiver indicator [C] switches off.

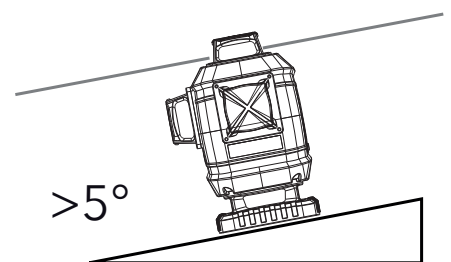
NOTICE: COMPATIBILITY LASER AND RECEIVER

- **IT IS ONLY POSSIBLE TO WORK WITH A RECEIVER THAT IS COMPATIBLE WITH THE LASER DEVICE. LASER DEVICE AND RECEIVER SHOULD USE THE SAME FLASHING FREQUENCY (ALSO CALLED "PULSE"). PLEASE CHECK THE TECHNICAL DATA OF YOUR LASER DEVICE AND RECEIVER OR CONSULT YOUR FUTECH DEALER TO VERIFY COMPATIBILITY.**

■ MANUAL LEVELLING

When switching on the instrument, the automatic levelling starts. In case you don't want the automatic levelling (e.g., in case you need to show a laser line under an angle above 5°), you can switch off the automatic levelling.

- Turn on instrument with power button ON/OFF [A].
- Switch on the desired laser lines with "H" and "V" buttons [F][G].
- Switch ON manual levelling (= stop automatic levelling)
 - Hold the receiver button [B] for 5 seconds, until the levelling indicator [D] starts flashing faster. The automatic levelling is now switched off and desired laser lines are locked
 - By tilting the instrument, you can change the angle of the laser lines. We recommend using a slope adapter (not included) to show laser lines under a specific angle.



- Switch OFF manual levelling (= start automatic levelling)
 - Hold the Receiver Button [B] for 5 seconds, until the Levelling Indicator [D] starts flashing slower. The automatic levelling is now switched on.

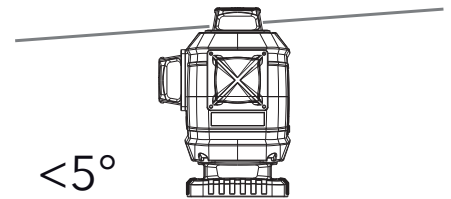
NOTICE

- **WHEN THE MANUAL LEVELLING IS SWITCHED ON, "H" AND "V" BUTTONS [F][G] CANNOT BE OPERATED-USED TO SELECT THE DESIRED LASER LINES.**

■ SLOPE FUNCTION

In case you don't want the automatic levelling (e.g. in case you need to show a laser under an angle below 5°), you can switch off the automatic levelling and use the built-in slope function.

- Turn on instrument with power button ON/OFF [A].
- Switch on the desired laser lines with "H" and "V" buttons [F] [G].
- X-Axis Slope
 - Hold the Receiver Button [B] for 5 seconds, until the Levelling Indicator [D] starts flashing faster. The automatic levelling is now switched off.
 - The slope function is enabled on the X-axis.
 - Hold the "H" button [F] or "V" button [G] to adjust the slope over the X-axis.
- Y-Axis Slope
 - Press the Receiver Button [B]. The levelling indicator [D] starts flashing slowly. The slope mode is enabled on the Y-axis.
 - Hold the "H" button [F] or "V" button [G] to adjust the slope over the Y-axis.
- Hold the Receiver button [B] for 5 seconds, until the Levelling Indicator [D] starts flashing at normal speed. You have quit the slope mode. The instrument will start automatic levelling.



NOTICE

- **WHEN THE SLOPE FUNCTION IS ACTIVE, "H" AND "V" BUTTONS [F][G] CANNOT BE OPERATED-USED TO SELECT THE DESIRED LASER LINES.**

■ BATTERY

Use only the battery (7.4V, 2600mAh - Art.nr.: H60028) and the charger (16.8V, 2.6A - Art.nr.: H60032) supplied with the Multicross 4D Electronic.
The remote control needs 4x AAA Alkaline batteries (LR03).

- Place or remove the battery
 - Open the battery cover [6].
 - Slide the battery inside the battery tray. The 2 metal contacts should go first inside the housing of the laser.
 - Close the battery cover [6].
- Charge the battery inside the instrument
 - In case the power indicators [H] indicate the battery-power is low, you need to recharge the batteries.
 - Connect the included charger to the USB-C power connector [8]. Plug the charger in a power plug. The power indicators[H] start flashing upward.
 - When the power indicators light constantly with all four lights on, the battery is 100% loaded.
- Charge the battery directly
 - You Can also charge the battery with USB-C connector on the battery. Remove the battery from the housing and connect the included charger to the USB-C power connector on the battery. Plug the charger in a power plug

- If the LED indicator on the battery lights red, it shows the battery is being charged.
- If the LED indicator on the battery lights blue, it shows the battery is fully charged.
- If the LED indicator on the battery is flashing, it shows the connection is not good.

NOTICE

- *IN ORDER TO AVOID ALL RISKS, ONLY USE THE CHARGER AND BATTERY THAT ARE DELIVERED TOGETHER WITH THE LASER INSTRUMENT.*
- *YOU CAN CHARGE THE BATTERY DURING THE USAGE OF THE INSTRUMENT.*
- *COMPLETE RECHARGING OF THE BATTERY WILL TAKE BETWEEN 3 AND 4 HOURS.*

SPECIFICATIONS

Precision	1,5mm / 10m
Range (with receiver)	up to 2x 60m (with receiver)
Dust- and water proofness	IP54
Battery	7.4V, 2600mAh Li-ion
Charger	
Levelling	Motor levelling
Self-levelling range	+/- 4°
Slope function	Manually + Electronic
Maximum settable slope	+/- 5° (X-axis/Y-axis)
Remote control	Yes*
Built-in screw for tripod	1/4"
Laser frequency (in receiver mode)	10KHz
Laser class	Class 2 - 515nm - <1mW
Operating temperature	-10 to 40°C
Storage temperature	-15 to 50°C
Dimensions (only laser device)	152 x 98 x 145 mm
Weight (only laser device)	0,83 kg

* Remote control not included and compatible with the very first devices.

Futech is a registered brand of Laseto NV, Belgium.

Futech declares that the Multicross 4D Electronic is in conformity with the following standards:

following the provisions of Directive:

Tested by

Certificate number

